

COMBi-CBE4

The innovative Combi-CBE4 is designed to increase productivity, improve safety and help increase your storage capacity both indoors & outdoors.

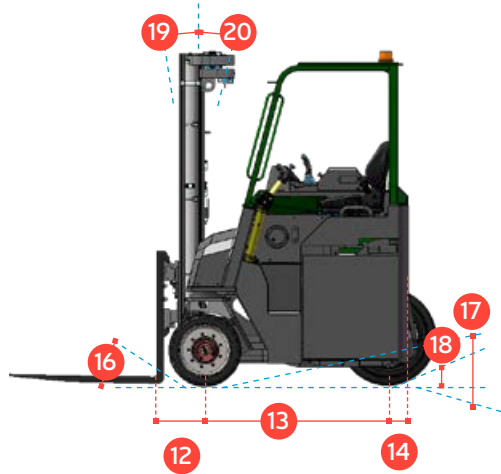
COMBiLiFT

LIFTING INNOVATION

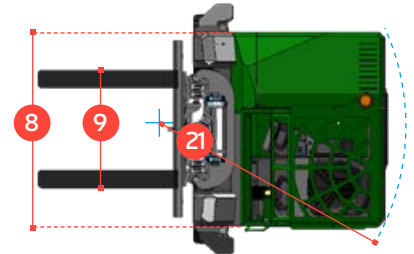
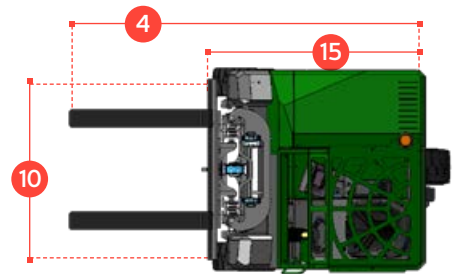
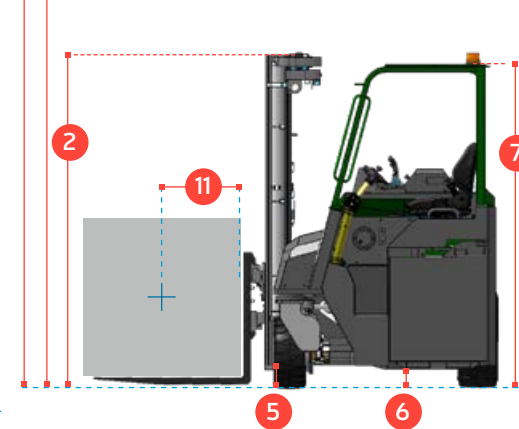


COMBI-CBE4

FRONTAL MODE



SI DEWARD MODE



REF.	DESCRIPTION	STANDARD
1 a	Standard Lift Height	4040mm
1 b	Free Lift Height	0mm
2	Height Mast Closed	2900mm
3	Max. (Mast raised)	5050mm
4	Overall Length	2925mm
5	Ground Clearance Under Mast	152mm
6	Ground Clearance to Wheelbase Centre	125mm
7	Height of Overhead Guard	2356mm
8	Width	1650mm
9	Outside Spread of Fork Arms	1500mm
10	Track Front	1445mm
11	Load Centre Distance	600mm
12	Overhang Front	355mm
13	Wheelbase	1350mm
14	Overhang Back	155mm
15	Length From Face of Fork	1860mm
16	Approach Angle	30°
17	Ramp Angle	20°
18	Departure Angle	30°
19	Forward Tilt	3°
20	Backward Tilt	7°
21	Minimum Outside Radius	1670mm
A	Capacity	4000 kg
B	Unladen Weight	8600 kg
C	Maximum Ground Speed	11 km/h
D	Gradeability	10%
E	Battery Capacity	72 V / 775 Ah
F	AC Electric Traction Motor x 3	2 x 2.5kW (front) / 1 x 5kW (rear)
G	AC Electric Pump Motor	20 kW
H	Fork Section	150mm x 50mm x 1065mm
I	21 x 9 x 22 Front Tyre x 2 (Solid Rubber)	OD 533mm / Width 229mm
J	28 x 10 x 22 Rear Tyre x 1 (Super Elastic Rubber)	OD 711mm / Width 254mm
K	Standard Colour	Green & Grey
L	Suspension Seat	Grammer MSG 65

Multi-Directional



Features Include:

- Open cabin
- Load sensing steering
- 4-Way lever positioning of wheels
- System Communication via CAN-BUS
- Multi-directional operation
- 3 wheel electric drive
- Powered by AC technology

Distributed by:

Patents - Load Carrying Trucks - Australian Patent No. 2014217777; Brazilian Patent Application No. BR 11 2015 020348 5; Canadian Application No. 2,901,522; Chinese Patent No. ZL 201480009365.9; European Patent No. 2956350; German Patent No. 60 2010 037 116.6; Indian Patent Application No.2438/MUMNP/2015; United States - United States Patent No. 9,561,943;

Design Registration - Canada - Canadian Design Registration No. 123292; Switzerland - Swiss Design Registration No. 134.557; Europe - European Design Registration No. 00725668-0001; Japan - Japanese Design Registration No. 1330896; South Korea - South Korean Design Registration No. 30-0516087; Russian Federation - Russian Design Registration No. 70814; Taiwan - Taiwanese Design Registration No. D126056; USA - US Design Patent No. D579,624;

COMBILIFT HAS A POLICY OF CONTINUOUS PRODUCT DEVELOPMENT AND RESERVES THE RIGHT TO ALTER SPECIFICATIONS WITHOUT PRIOR NOTICE. SPECIFICATIONS AND/OR DIMENSIONS MAY VARY FROM THOSE ILLUSTRATED IN SOME COUNTRIES.